

TANKS

SAFETY BUNDS

Data Sheet

PE tanks for chemical mixing and dosing system.
With level indicator.

Tanks can be assembled with:

- metering pumps
- suction lances
- mixers
- feed water valve
- outgassing pump hose
- outgassing valve on the higher top side.
- bleed water valve

Dummy holes ensure chemical isolation.

All dosing station components assembled on are enclosed into tank diameter.

Mixers screwed on **thread metal insert** are **tilted** for better central mixing.

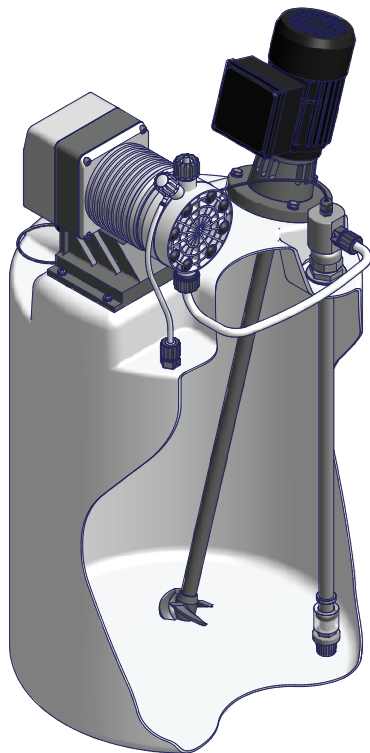
Stainless Steel (AISI 316) fixing screws with rubber cap.

OPTION

- Feed water valve (1/2" or 3/4")
- Bleed water valve (1/2" or 1")
- Outgassing valve

Temperature..... 0-40° C (32-104°F)

Material..... PE



DOSING STATION

Pre-assembled dosing station with:

- 1 metering pump (or 2, if any mixer)
- 1 mixer
- 1 feed water valve
- 1 outgassing valve
- 1 or 2 suction lances
- 1 bleed water valve
- 2 probe filters (if any mixer)

If 2 metering pumps are assembled on, install a suction lance with double suction input and a KDPV connection kit.

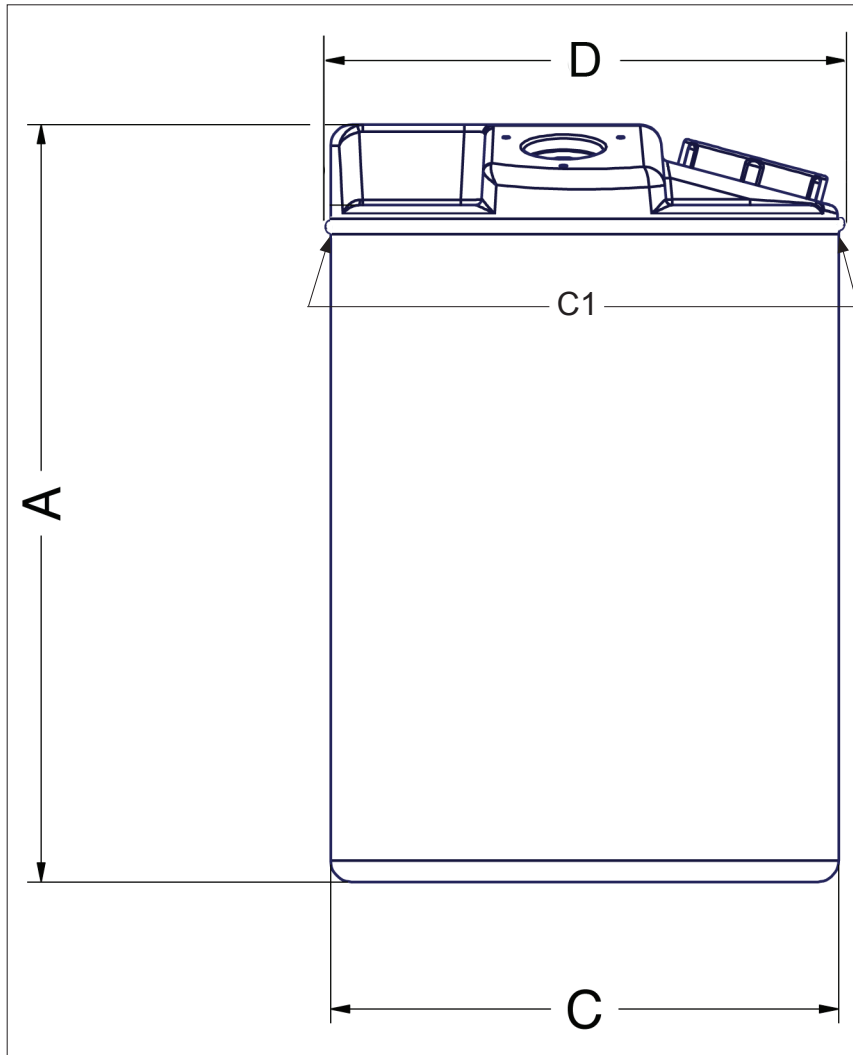
The table below lists EMEC components you can choose for dosing station.

Tank model	Metering pump (mod.)	Mixer (mod.)	Suction lance
CNT PD 50	<ul style="list-style-type: none"> • V (with bracket) • K 	<ul style="list-style-type: none"> • MIX MAN 	<ul style="list-style-type: none"> • LASP4 (40 cm) • LASP5 (40 cm)
CNT PD 110	<ul style="list-style-type: none"> • V (with bracket) • K • A • T (with bracket) 	<ul style="list-style-type: none"> • MIX8N • MIXV8N 	<ul style="list-style-type: none"> • LASP4 (63 cm) • LASP5 (63 cm)
CNT PD 200 *	<ul style="list-style-type: none"> • V (with bracket) • K • A • T (with bracket) 	<ul style="list-style-type: none"> • MIX8N • MIXV8N • MIX4N • MIXV4N • MIXV2N 	<ul style="list-style-type: none"> • LASP4 (75 cm) • LASP5 (75 cm)
CNT PD 500 *	<ul style="list-style-type: none"> • V (with bracket) • K • A • T (with bracket) • PRIUS (reinforced) 	<ul style="list-style-type: none"> • MIXV4N • MIX4N • MIXV2N 	<ul style="list-style-type: none"> • LASP4 (108 cm) • LASP5 (108 cm)
CNT PD 1000	<ul style="list-style-type: none"> • V (with bracket) • K • A • T (with bracket) • PRIUS (with bracket) 	<ul style="list-style-type: none"> • MIX4N • MIXV2N • MIX2 	<ul style="list-style-type: none"> • LASP4 (120 cm) • LASP5 (120 cm)

TANKS SAFETY BUNDS

Data Sheet

DIMENSIONS



Model	Litres	A	C	C1	D
CNT PD 50	50	505	∅ 420	-	-
CNT PD 120	110	735	∅ 475	∅ 485	∅ 495
CNT PD 250	200	850	∅ 610	-	-
CNT PD 500	500	1200	∅ 780	-	-
CNT PD 1000	1000	1240	∅ 1120	-	-

Measures in mm.

HOLES DIMENSIONS

Model	Chemical load (d)	Feed water valve	Bleed water valve	Outgassing valve	Suction lance	Pump outgassing hose
CNT PD 50	95 mm	1/2" threaded	1/2" threaded	1/2" threaded	1 1/2" threaded	1/2" 4x6
CNT PD 120	120 mm	1/2" threaded	1/2" threaded	1/2" threaded	1 1/2" threaded	1/2" 4x6
CNT PD 250	120 mm	1/2" threaded	1/2" threaded	1/2" threaded	1 1/2" threaded	1/2" 4x6
CNT PD 500	150 mm	1" threaded	1" threaded	1/2" threaded	1 1/2" threaded	1/2" 4x6
CNT PD 1000	260 mm	1" threaded	1" threaded	1/2" threaded	1 1/2" threaded	1/2" 4x6

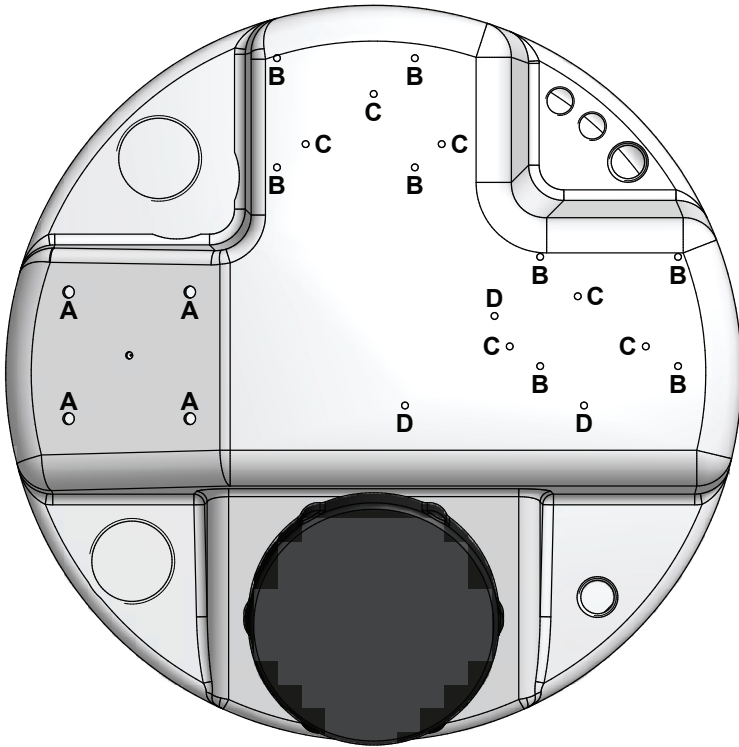
TANKS

SAFETY BUNDS

Data Sheet

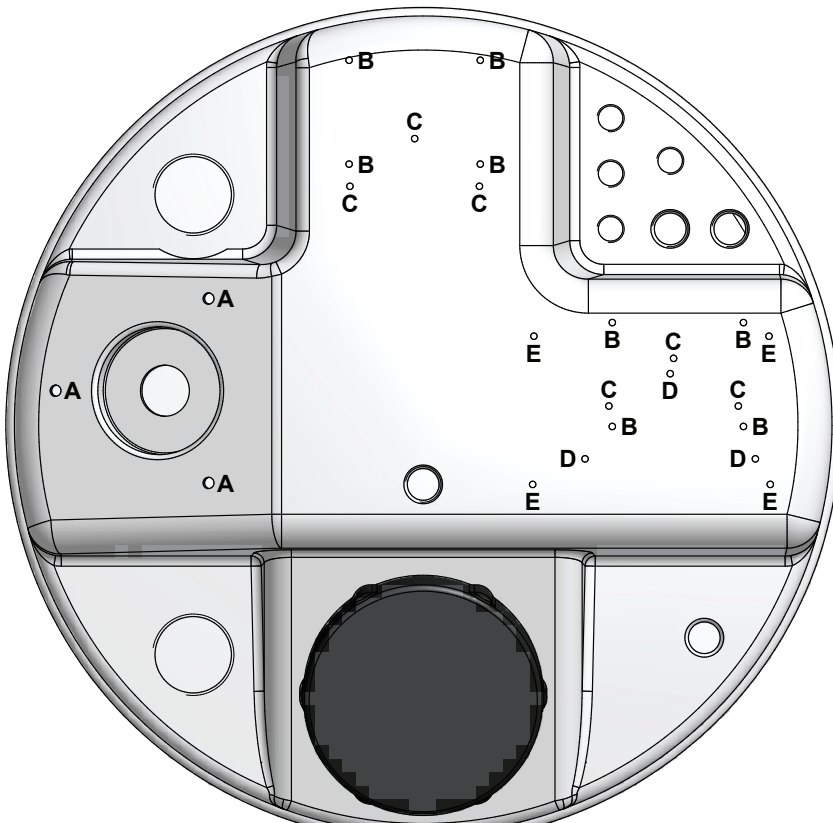
PUMPS AND MIXER POSITION

CNT PD 50



- A** FIXING HOLES MIX MAN
- B** FIXING HOLES "K" PUMP
- C** FIXING HOLES "V" PUMP ("F" 2 holes)
- D** FIXING HOLES "T" PUMP

CNT PD 110



- A** FIXING HOLES MIX MAN / MIX8N / MIXV8N
- B** FIXING HOLES "K" PUMP
- C** FIXING HOLES "V" PUMP
- D** FIXING HOLES "T" PUMP
- E** FIXING HOLES "A" PUMP

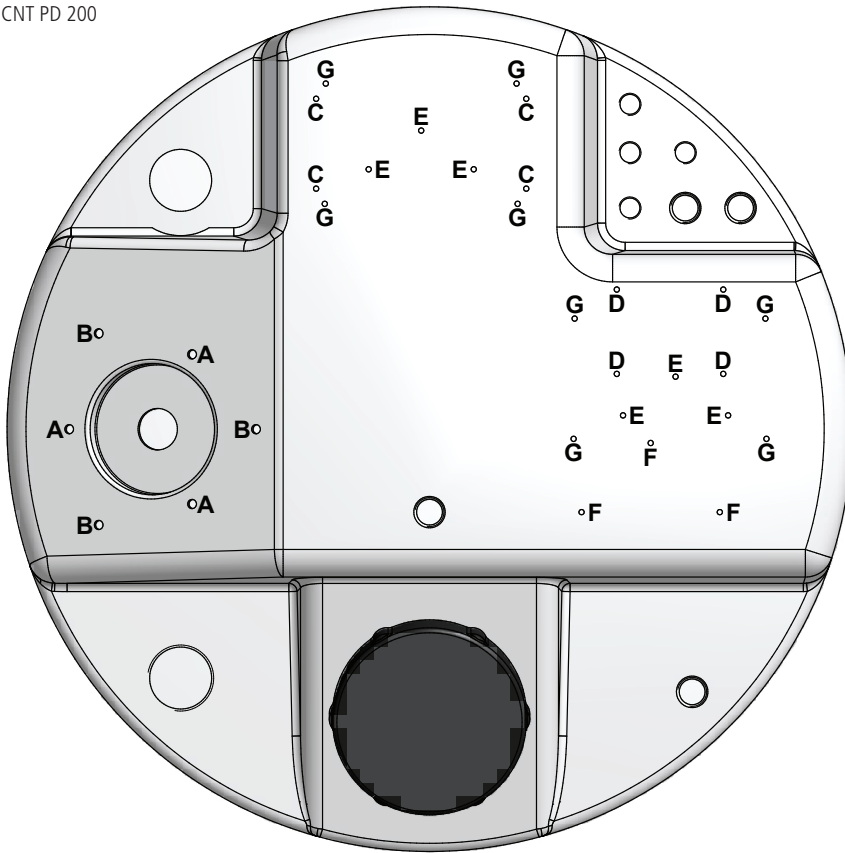
TANKS

SAFETY BUNDS

Data Sheet

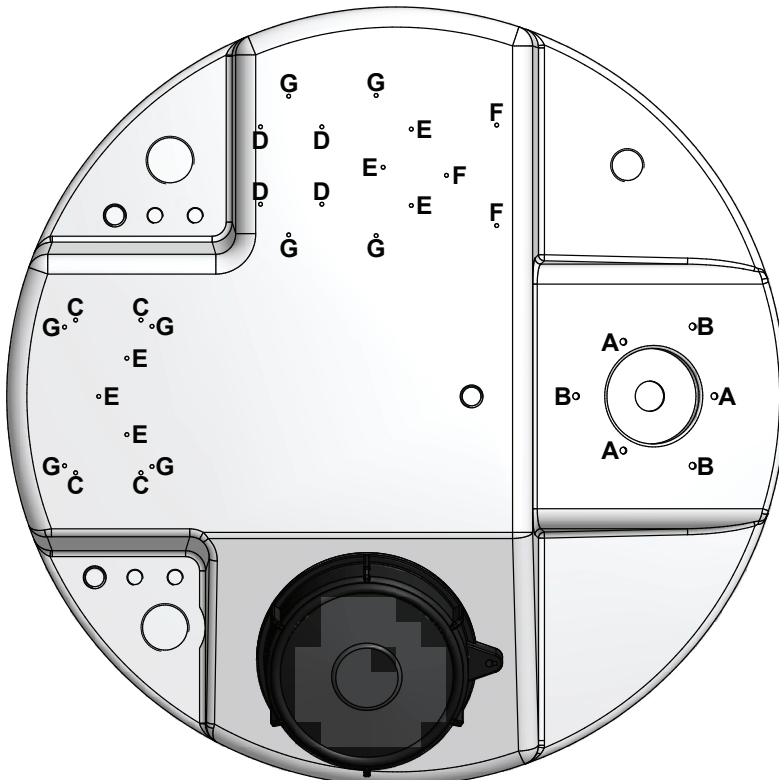
PUMPS AND MIXER POSITION

CNT PD 200



- A** FIXING HOLES MIX MAN / MIX8N / MIXV8N
- B** FIXING HOLES MIX4N / MIXV4N / MIXV2N
- C** FIXING HOLES 2" "K" PUMP BRACKET
- D** FIXING HOLES "K" PUMP
- E** FIXING HOLES "V" PUMP ("F" 2 holes)
- F** FIXING HOLES "T" PUMP
- G** FIXING HOLES "A" PUMP

CNT PD 500



- A** FIXING HOLES MIX MAN
- B** FIXING HOLES MIX4N / MIXV4N / MIXV2N
- C** FIXING HOLES 2" "K" PUMP BRACKET
- D** FIXING HOLES "K" PUMP
- E** FIXING HOLES "V" PUMP ("F" 2 holes)
- F** FIXING HOLES "T" PUMP
- G** FIXING HOLES "A" PUMP

TANKS

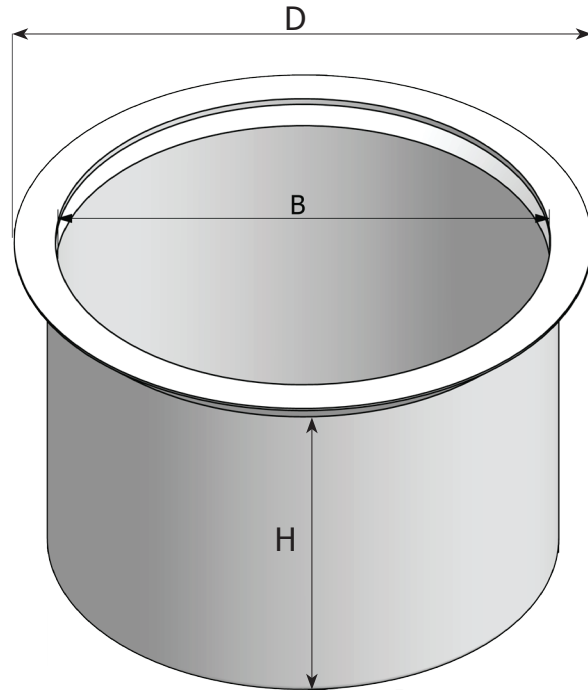
SAFETY BUNDS

PE safety bunds for "CNT" tanks.

Reinforced collar for increasing security.

Temperature..... 0-40° C (32-104°F)

Material..... PE



Model	Litres	D	B	H	Tank model
COS PD 50	60	510	430	425	CNT PD 50
COS PD 110	120	545	520	615	CNT PD 120
COS PD 200	300	695	660	875	CNT PD 250
COS PD 500	600	840	820	1095	CNT PD 500
COS PD 1000	1500	1240	1150	1250	CNT PD 1000

Measures in mm.